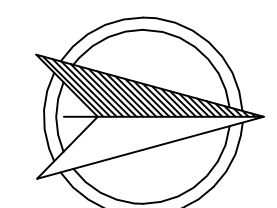


999 broadway suite 206
saugus, ma 01906
781-233-4808

1017 parker mountain rd
stratford, nh 03884
603-834-1171

This CAD Document is an instrument of professional service, and shall not be used, in whole or in part, for any project other than for which it was created without the express, written consent of CSI ENGINEERING LLC. Any unauthorized use, reuse, modification or alteration, including automated conversion of this document shall be at the user's sole risk.
CSI ENGINEERING LLC
©2011-2012 CSI ENGINEERING LLC.

MFA, INC
SUDBURY, MASSACHUSETTS



NORTH

STAMP

READING, MA

MTA CAMP
CURTIS GUILD
RENOVATION/REPAIR
ADMIN BUILDING
(TS-11)

REVISIONS:

Date	Description

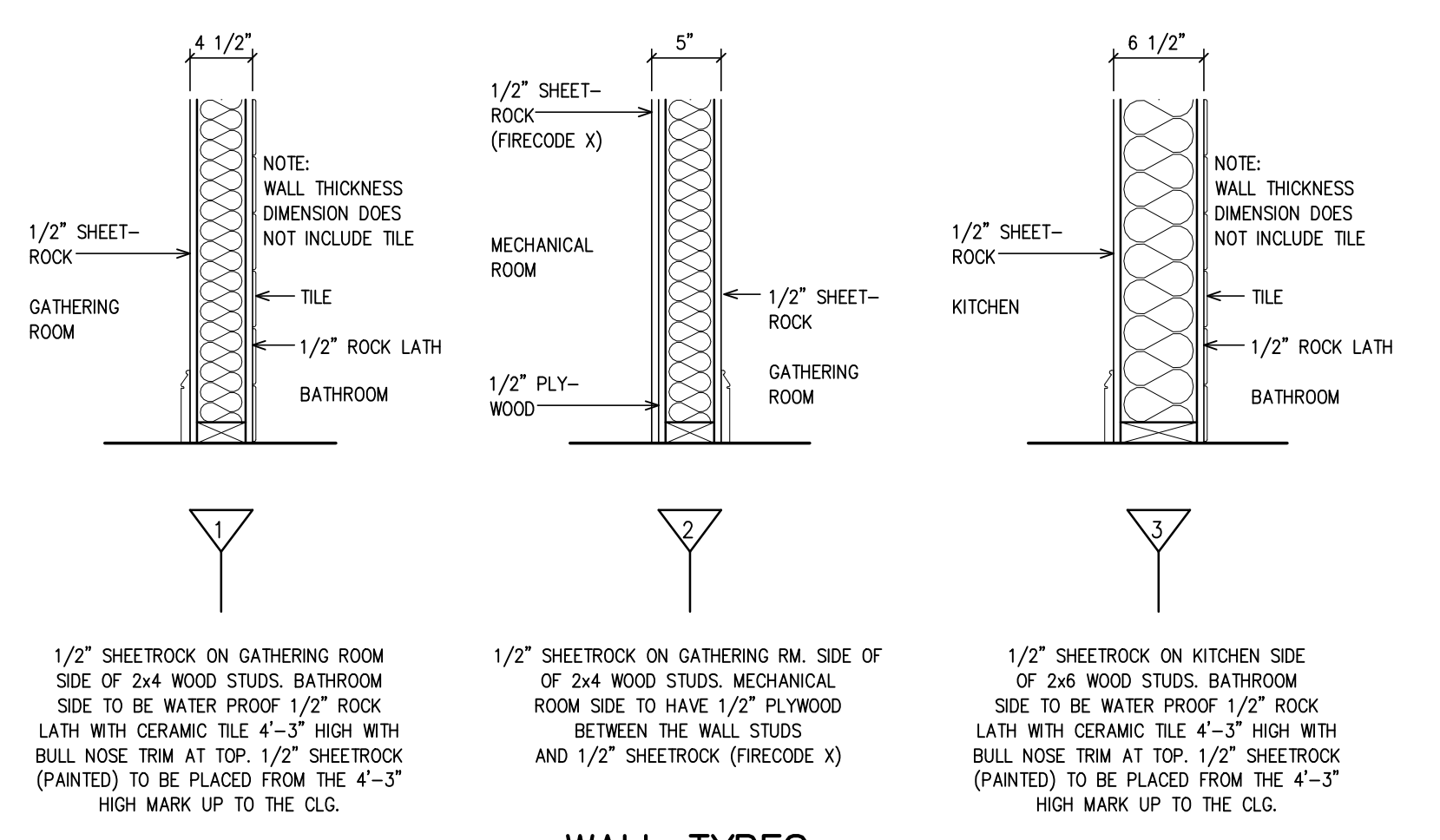
100% CONSTRUCTION
DOCUMENTS
07-18-12

CSI Project Number: 2011-375
Scale: SCALE
Drawn By: C.P.
Checked By: C.P.
Date: 06-18-2012

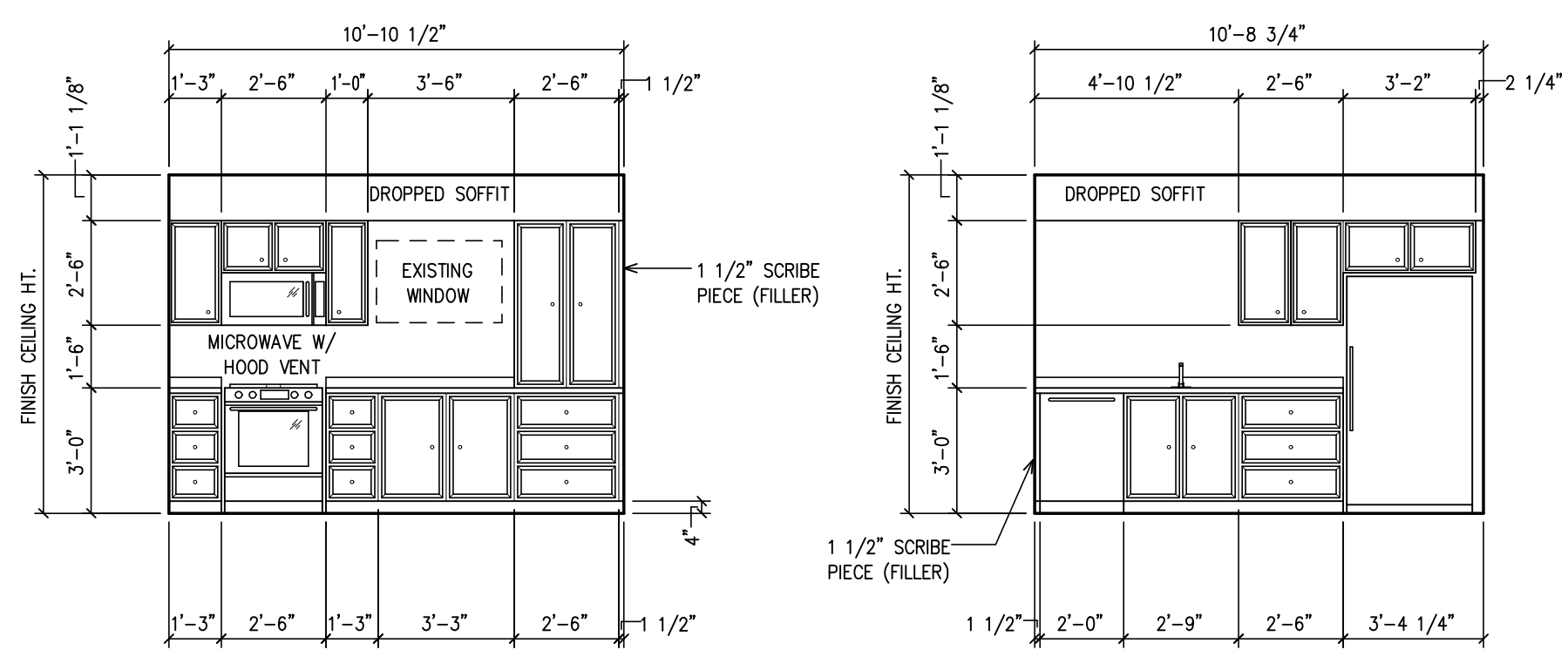
PROPOSED FIRST
FLR. PLAN, ATTIC
PLAN, & DETAILS

A3.0

© CSI ENGINEERING LLC.

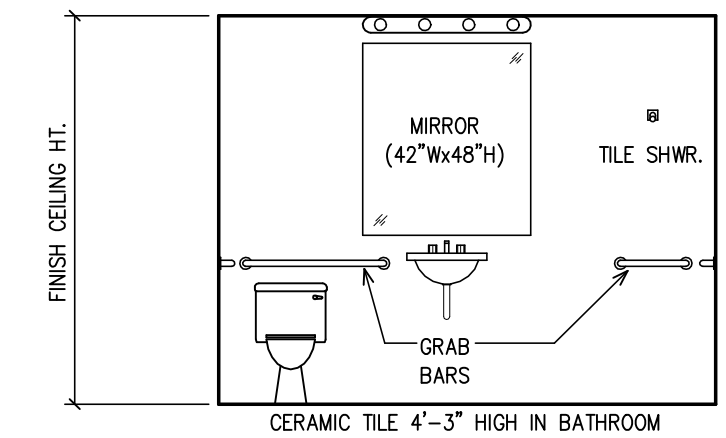


WALL TYPES
SCALE: 1" = 1'-0"

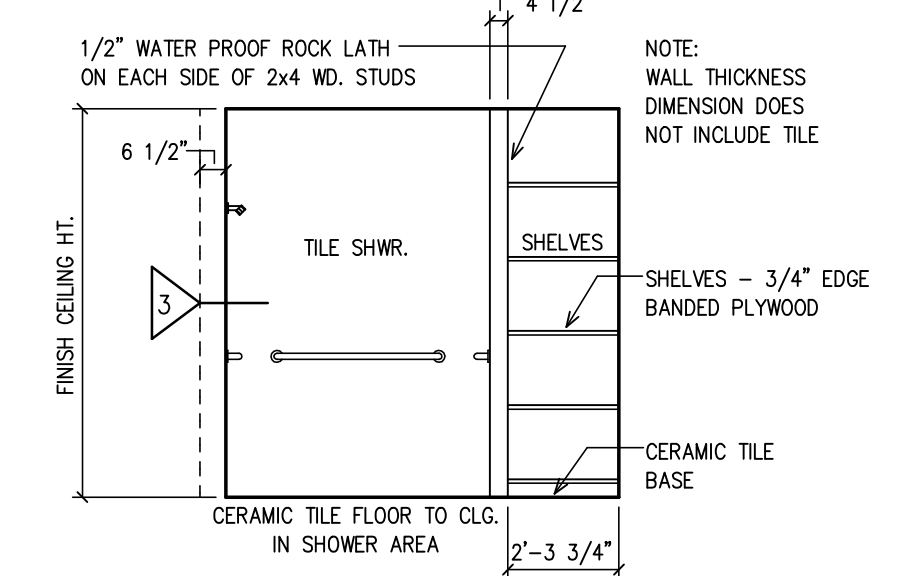


INTERIOR ELEVATION A2/1
SCALE: 1/4" = 1'-0"
NOTE: HARDWARE TO BE BRUSHED CHROME

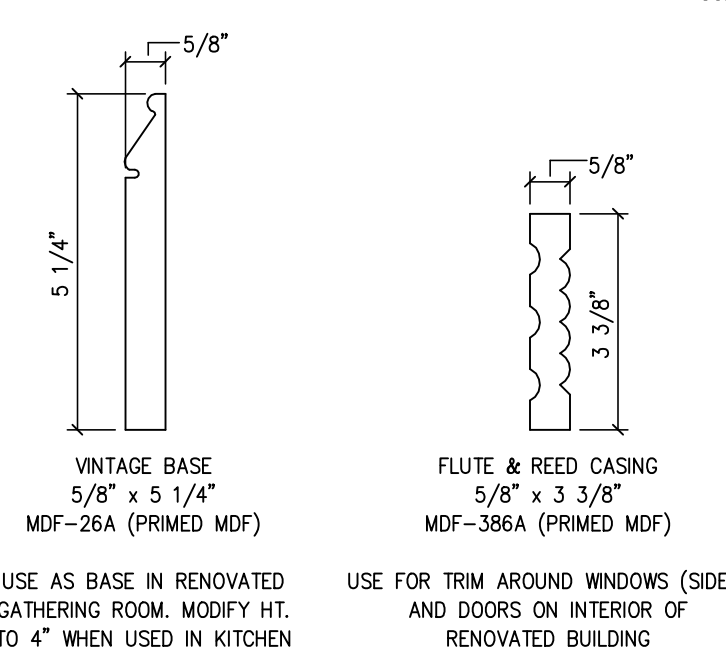
INTERIOR ELEVATION A2/2
SCALE: 1/4" = 1'-0"



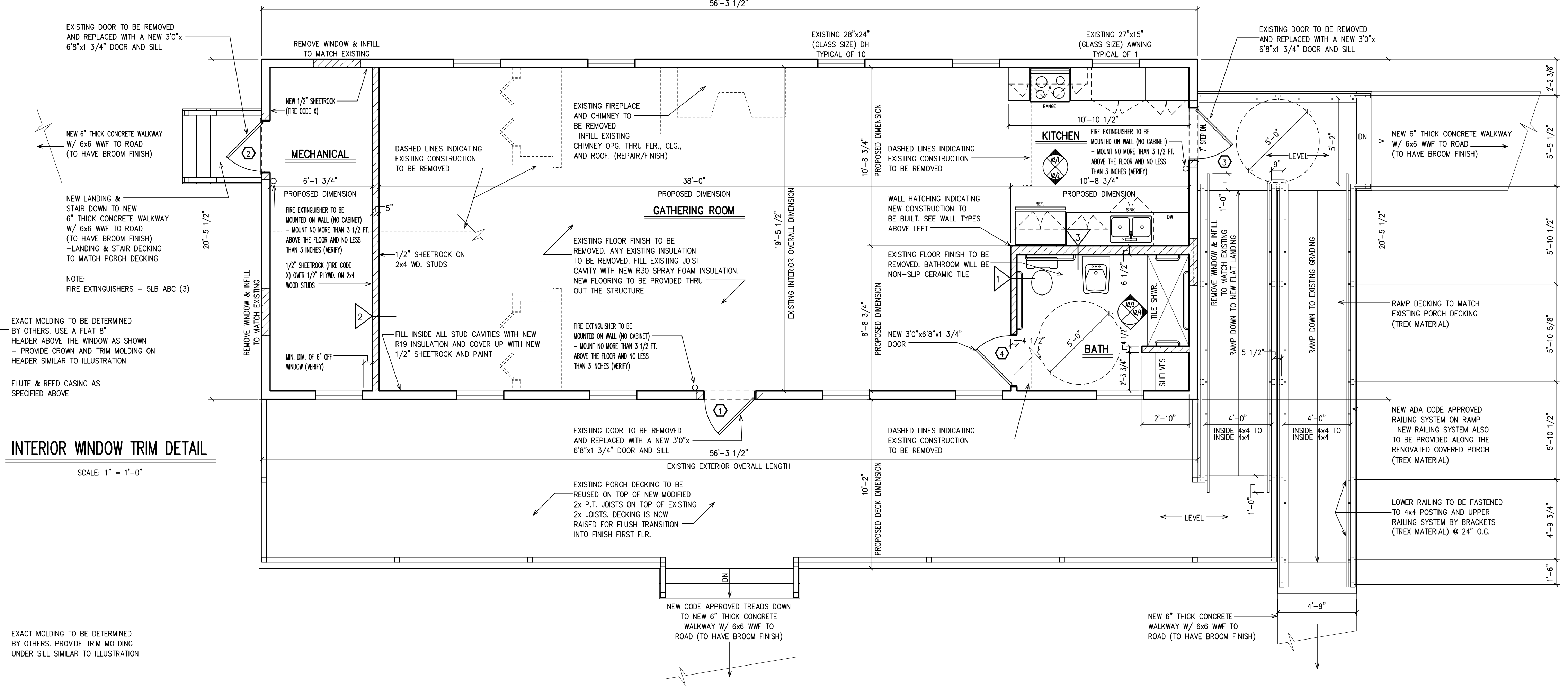
INTERIOR ELEVATION A2/3
SCALE: 1/4" = 1'-0"



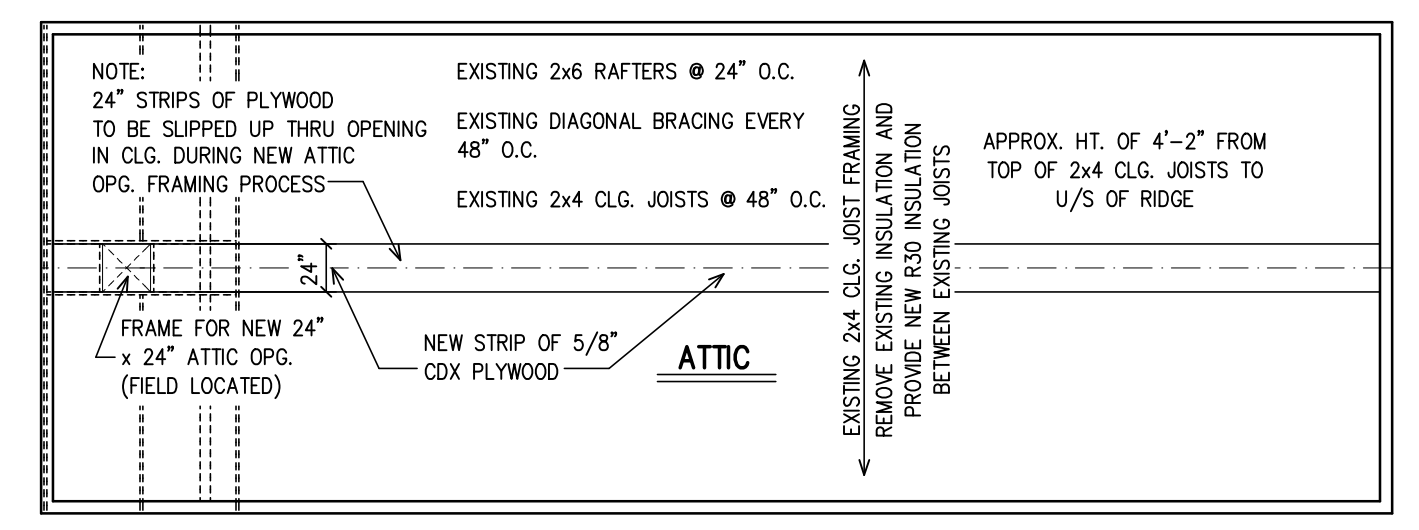
INTERIOR ELEVATION A2/4
SCALE: 1/4" = 1'-0"



TRIM TYPES
SCALE: 4" = 1'-0"

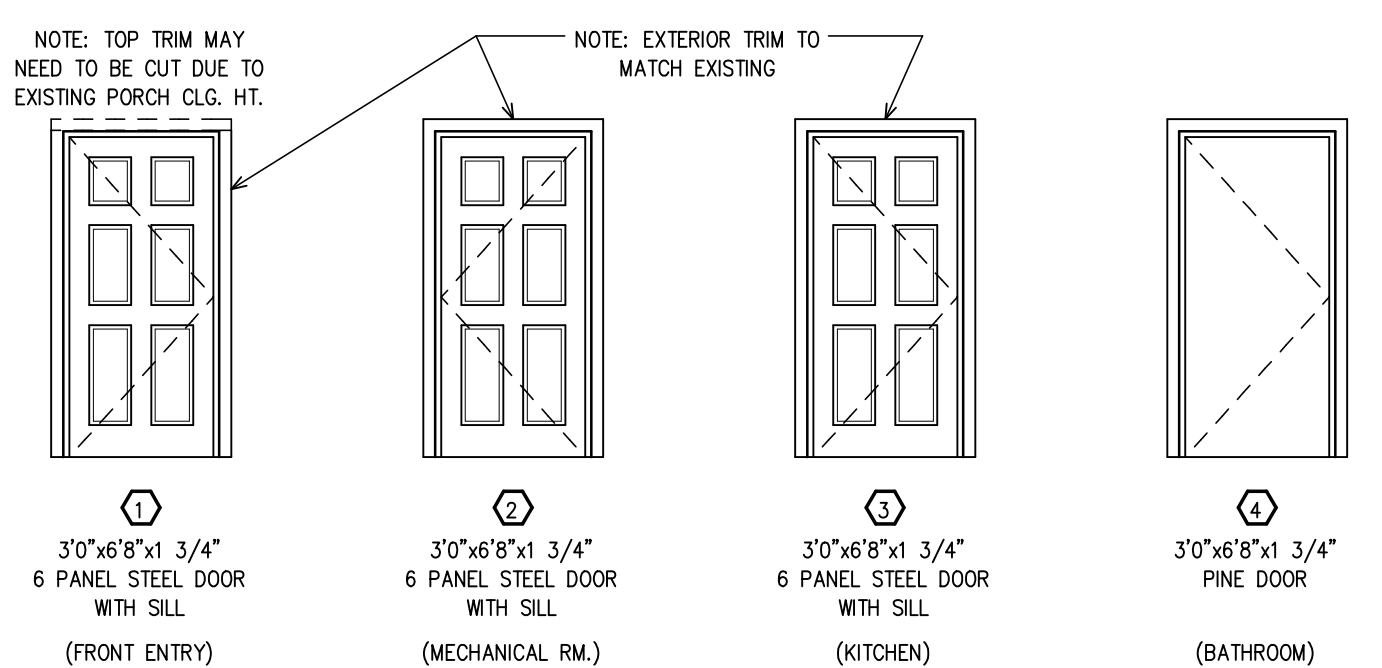


PROPOSED FIRST FLOOR PLAN
SCALE: 1/4" = 1'-0"



ATTIC PLAN
SCALE: 1/8" = 1'-0"

- ABBREVIATIONS
- WWF - WELDED WIRE FABRIC
 - CLG. - CEILING
 - O.C. - ON CENTER
 - OPG. - OPENING
 - HT. - HEIGHT
 - WD. - WOOD
 - FLR. - FLOOR
 - DIM. - DIMENSION
 - MIN. - MINIMUM
 - DN. - DOWN
 - LB. - POUND
 - DIA. - DIAMETER
 - P.T. - PRESSURE TREATED



DOOR TYPES
SCALE: 1/4" = 1'-0"